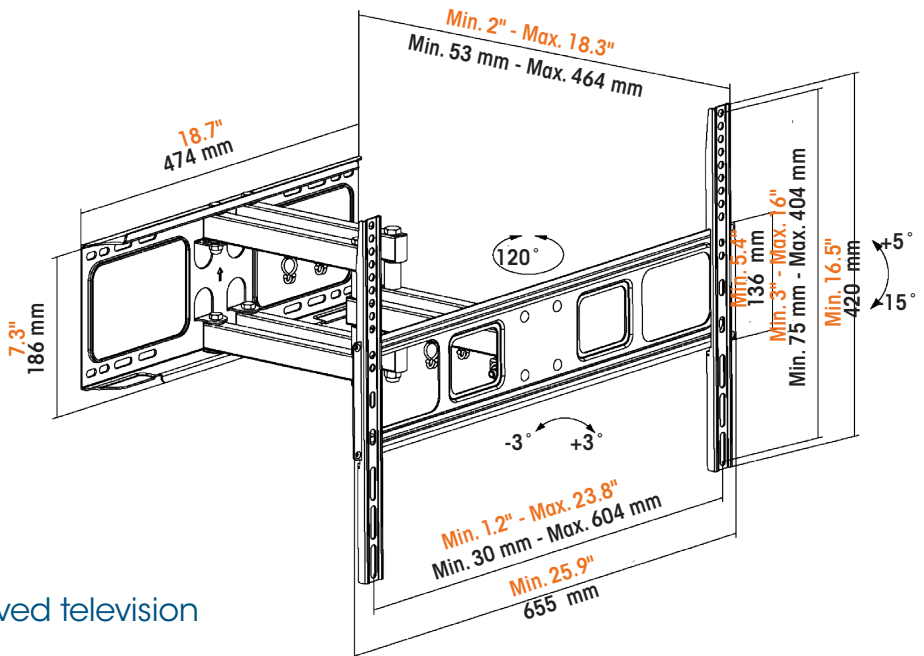


Visualizing Quality Control with Manhattan Mounts

Universal LCD Full-Motion Wall Mount

Model #461351



- Securely holds one flat-panel or curved television
- Steel construction
- Easy installation ideal for home, office and commercial applications
- Meets VESA standards: 200 x 200, 300 x 300, 400 x 200, 400 X 400, 600 x 400



For more information, visit
manhattanproducts.com