

# Visualizing Quality Control with Manhattan Mounts

## Universal LCD Full-Motion Wall Mount

Model #461337



GET A ROOM WITH A VIEW

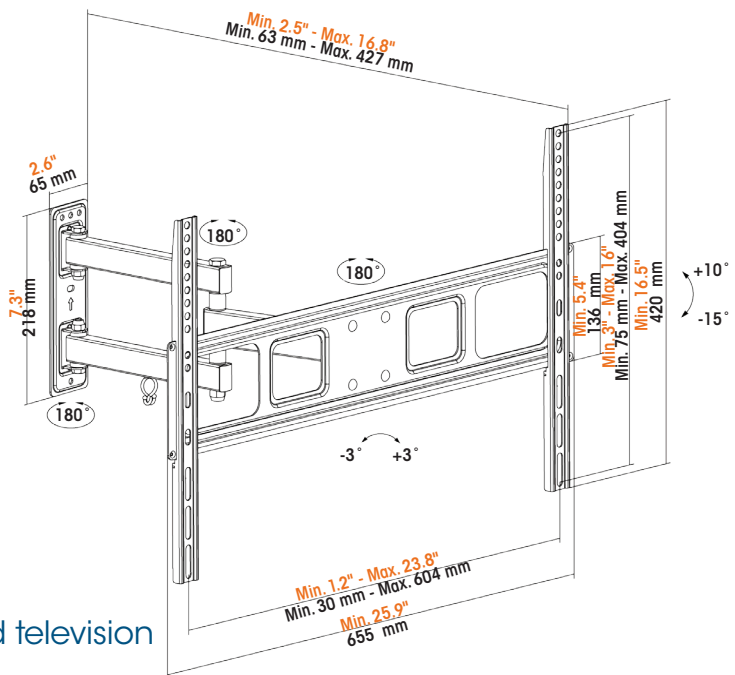
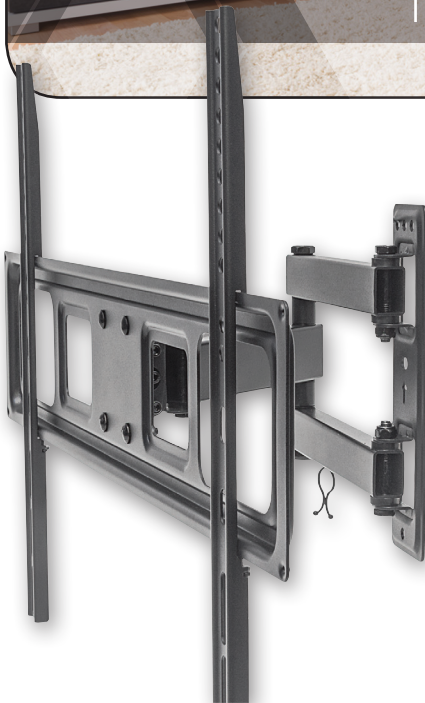
**77 lbs / 35 kg**  
Holds Up To 77 lbs. (35 kg)

**37" - 70"**

Holds One 37"-70" TV



+10° to -15° tilt,  
±90° swivel



- Securely holds one flat-panel or curved television
- Steel construction
- Easy installation ideal for home, office and commercial applications
- Meets VESA standards: 200 x 200, 300 x 300, 400 x 200, 400 X 400, 600 x 400



For more information, visit  
[manhattanproducts.com](http://manhattanproducts.com)