

Visualizing Quality Control with Manhattan Mounts

Universal Portable TV Mount Tripod



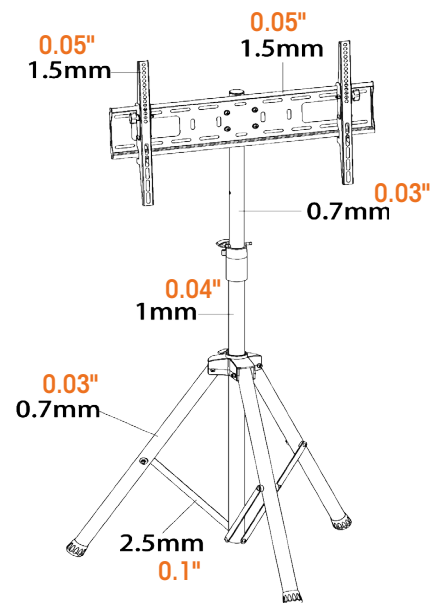
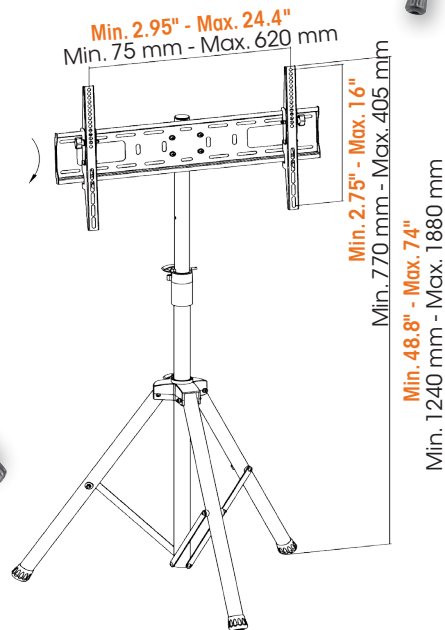
Model #467472

GET A ROOM WITH A VIEW

77 lbs/35 kg
Holds Up To 77 lbs. (35 kg)

37"-70"
Holds One 37"-70" TV

-8° to 0°
Tilt Adjustment



- Portable TV-mount tripod
- Screen tilt for optimal viewing angle
- Easy adjustment for better viewing with tool-free knob
- Meets VESA standards: 200 x 200, 400 x 200, 300 x 300, 400 x 400, 600 x 400



For more information, visit manhattanproducts.com